



# F-5 Heat Exchanger

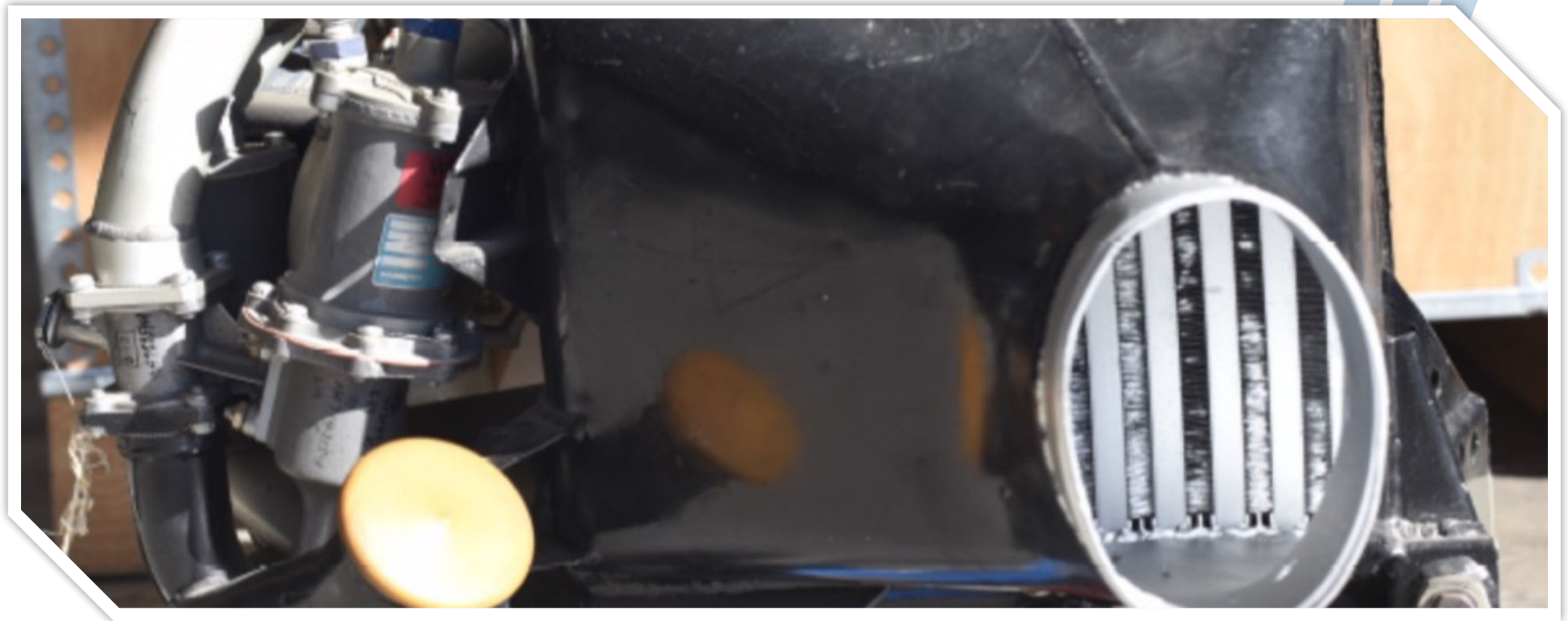
*Repair & Training*



COC Aerospace - Proprietary and Confidential Company Information

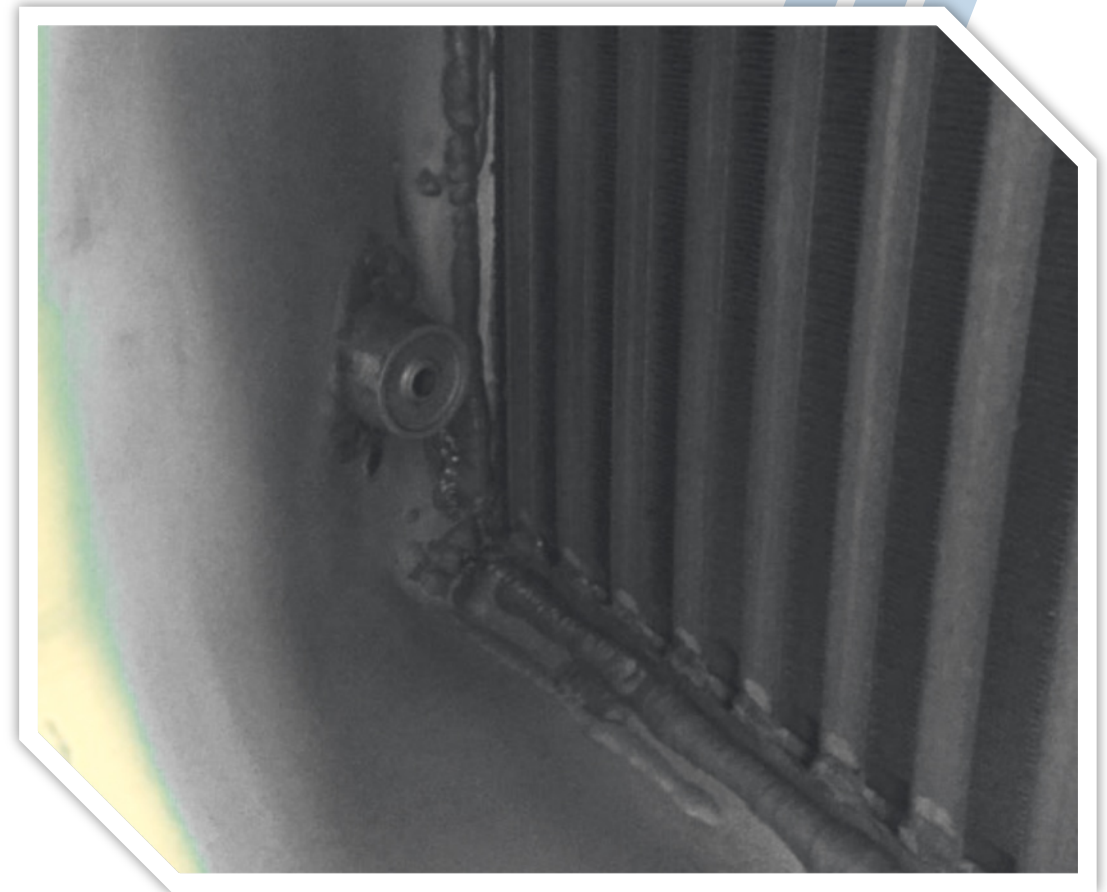


# Heat Exchanger P/N 750708-1



# COC Aerospace Technical Review

- ✈ Heat Exchanger p/n 750508-1 for Hamilton Sundstrand Refrigeration Unit Series 750508 for F-5M – version of F-5E ECS Upgrade

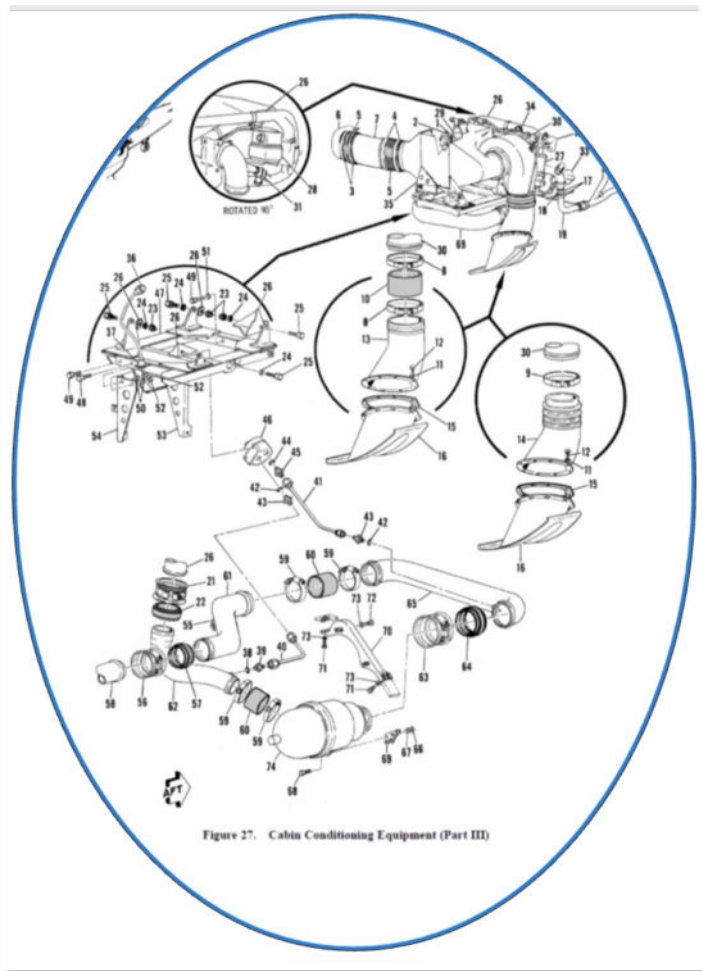


# Heat Exchanger

 Heat Exchanger is Single Module installed onto the ECS Refrigeration Pack.



# IPB of Refrigeration Pack F-5 ECS



# Re-Core and Re-Manufacture

✈️ COC takes the Heat Exchanger Unit and performs Re-Core and Re-Manufacture.

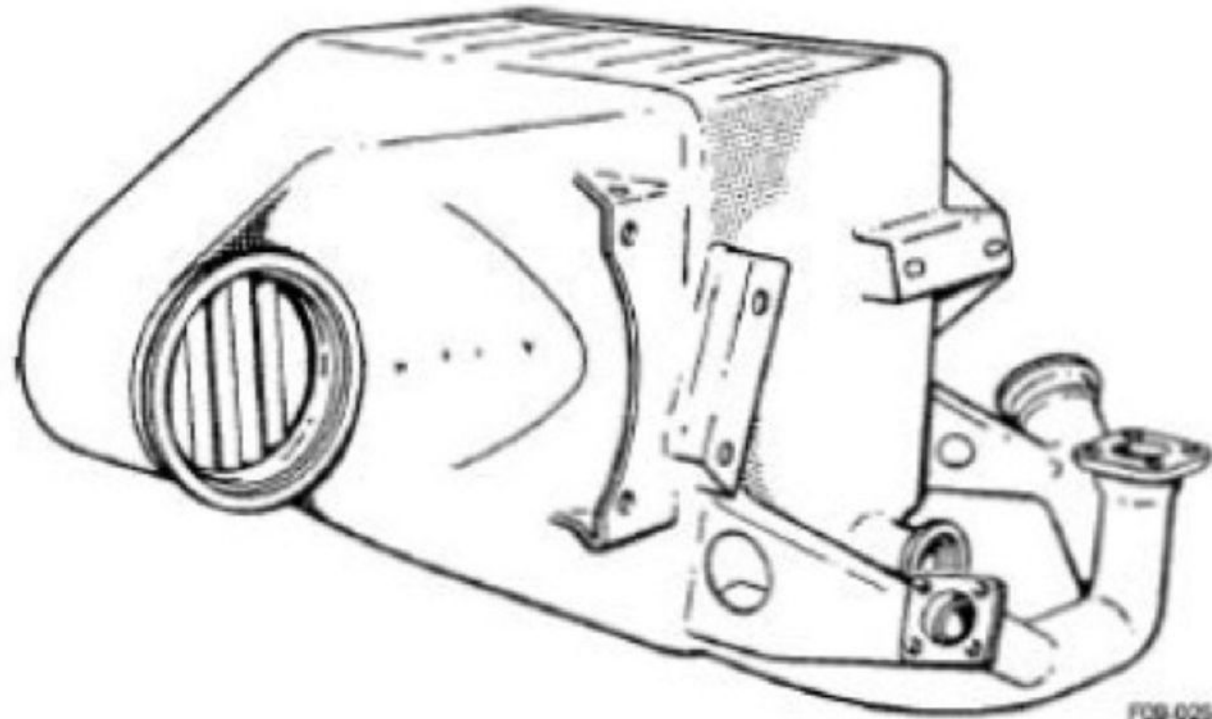
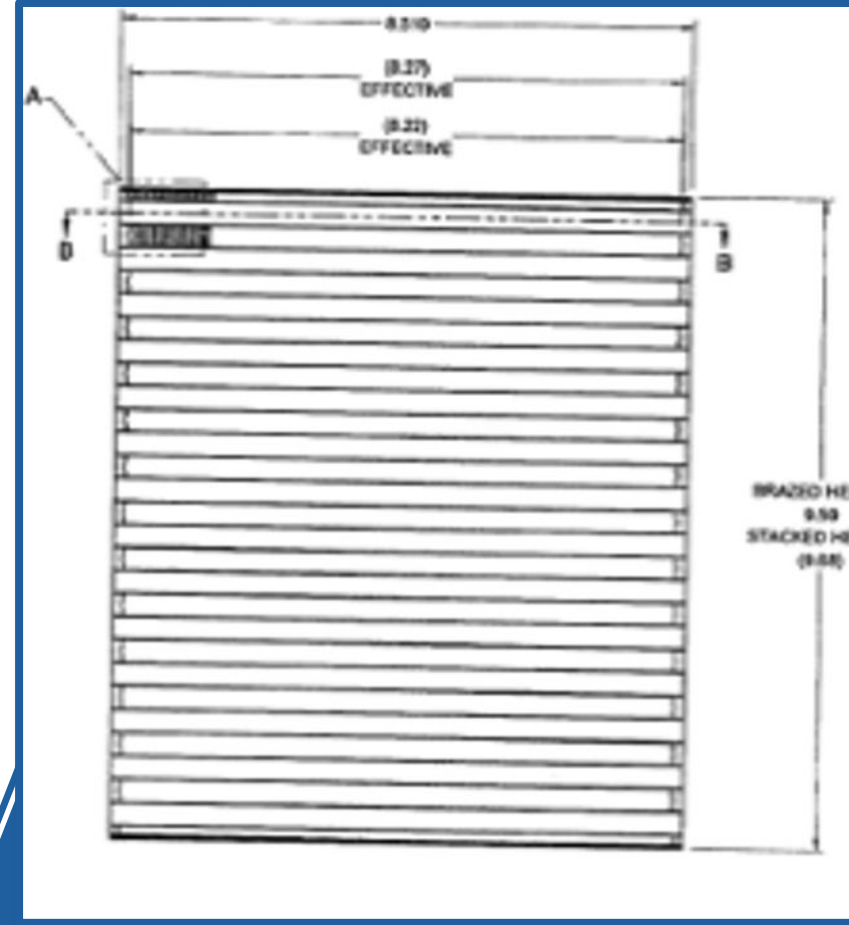
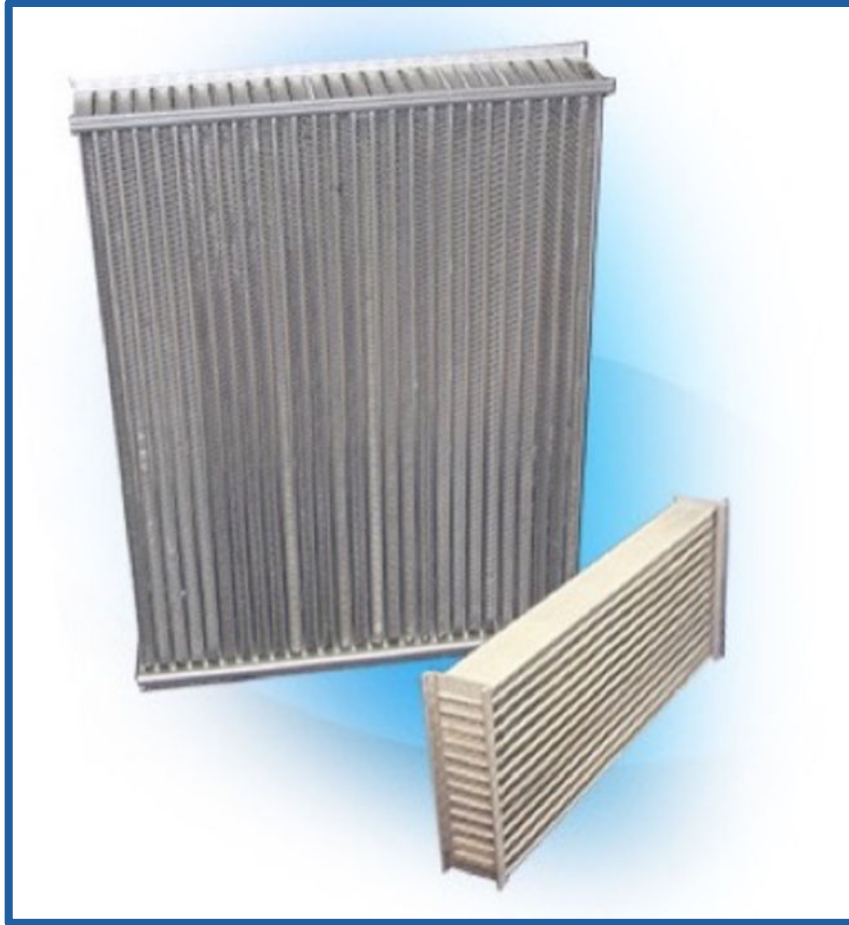


Figure 9-25. Heat Exchanger, Part Number 750508-1 - External View

# The CORE is the Heat Exchanger



# Disassembly & Testing



**The Housing is Disassembled, New Core installed, then fully tested.**



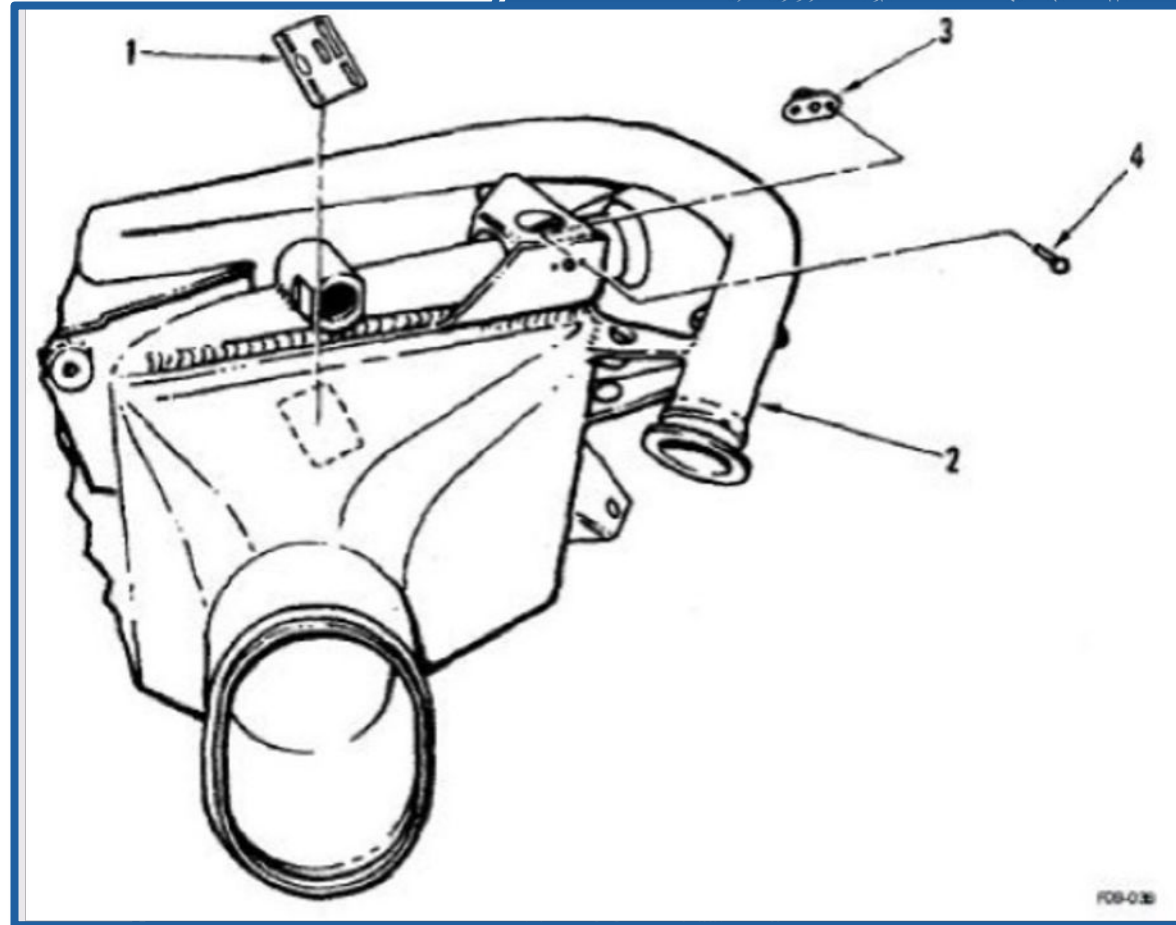


# Completion

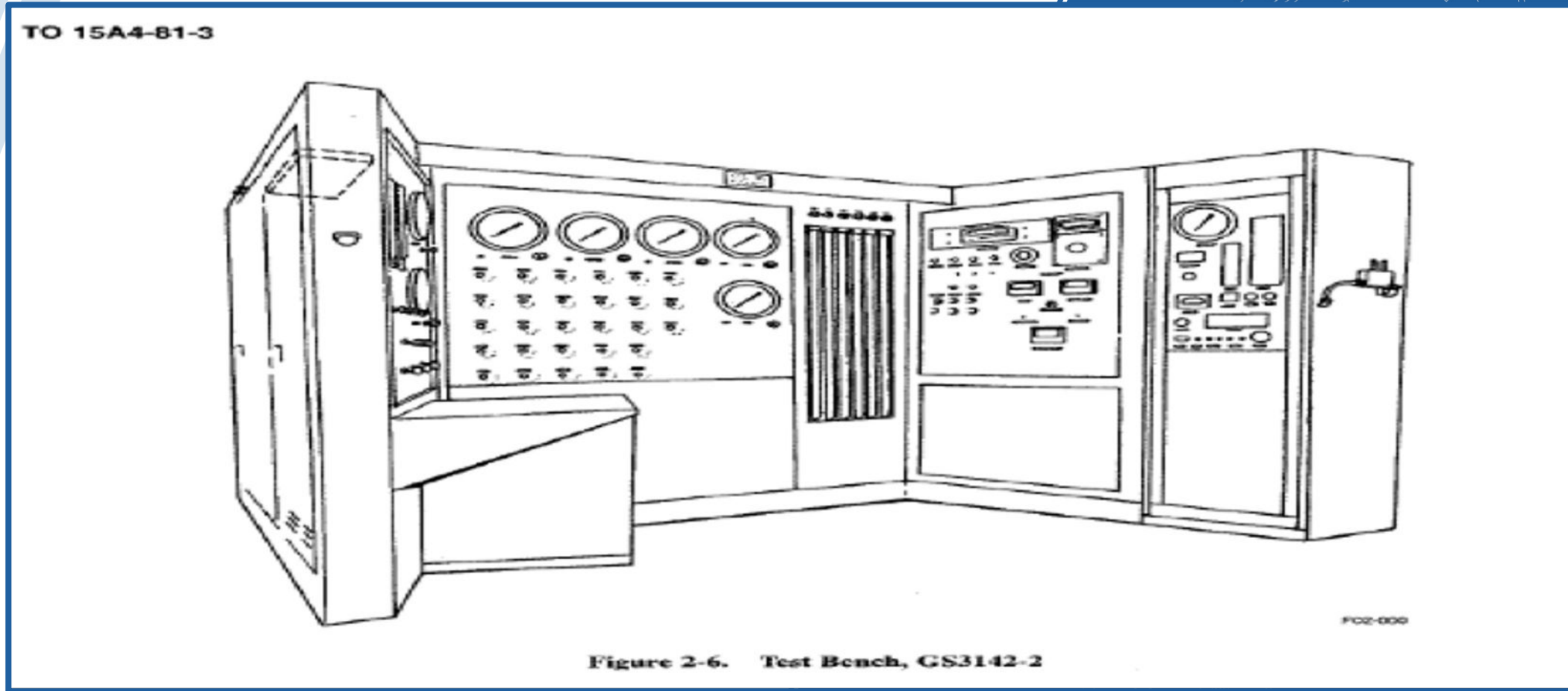


**RTAF SENDS THIS UNIT TO  
COC.**

**We return it completely  
re-manufactured and tested.**



# Highly Complex Test Bench requires skilled technicians



# F-5M – Modification Adding Aspirator to Heat Exchanger



**COC can install the Nozzle and Boss Part Numbers while Re-Core & Re-manufacture are performed.**

**P/N - 750507-900**

**BOSS,ASPIRATOR**

**P/N - 751873-1**


**NOZZLE & REDUCER,**



# RTAF re-installs Re-Cored & Re-Manufactured Heat Exchanger



# Five Decades of focused product support

-  **50 years of knowledge on how to supply the best spares**
-  **Key partnerships with industry leaders**
-  **Alternative, cost saving solutions**
-  **Advanced technology**
-  **Hi-tech equipment**
-  **Customer centric collaboration**
-  **In-Country Job Creation**



**Christopher J Garville, CEO - [www.coc-aerospace.com](http://www.coc-aerospace.com)**



**EXPERIENCE - NEARLY 5 DECADES YEARS SUPPORTING LEGACY AIRCRAFT**

**CUSTOMER SERVICE - OVER 50 YEARSSUPPORTING THE SAME CUSTOMERS**

**TRUST - ABOVE ALL, WE ALWAYS DO THE RIGHT THING**